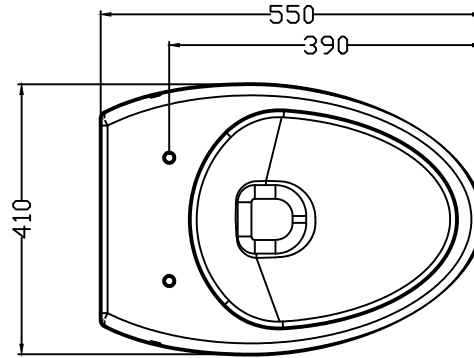
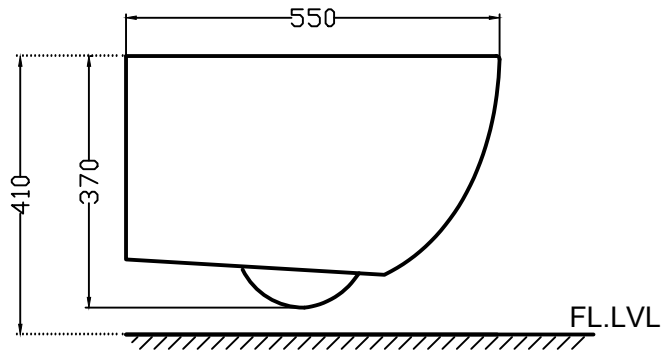


**Artize**

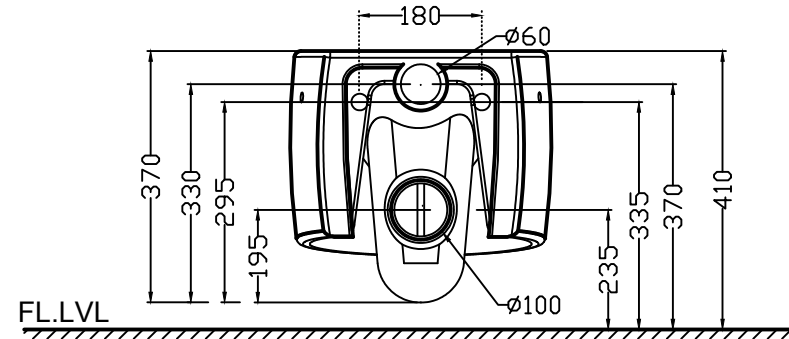
KAS-WHT-49951UF



TOP VIEW



BACK VIEW



SIDE VIEW

ALL DIMENSIONS ARE IN MM.  
(TOLERANCE ± 5 MM)